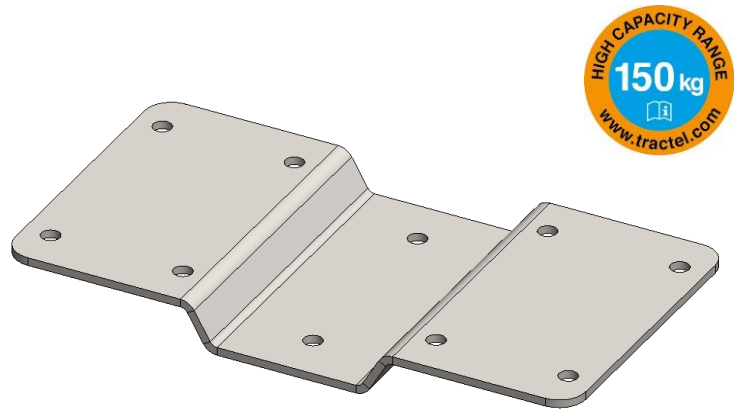
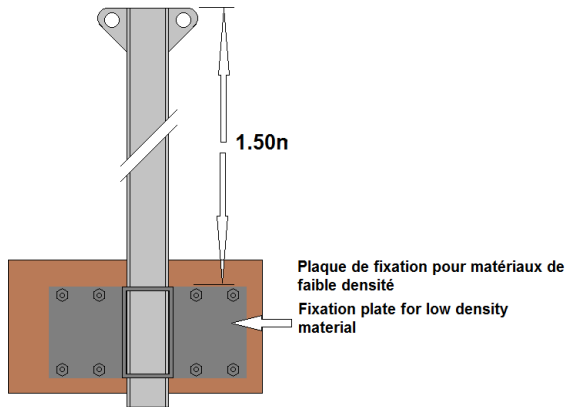


Application

Application

The Tractel® tracrod 150 kg anchor rod is a transportable anchor point which enables two operators, each weighing up to 150 kg, to work in safety. To install it ready for use, the tracrod 150 kg anchor rod is inserted into a stainless steel support mount which is secured in place permanently at the place of work

The fixing plate for low density materials has been studied to fix the anchoring rod in materials such as brick or limestone.



Features:

So that the tracrod 150 kg anchor rod can be installed in as many configurations as possible, Tractel® has made a fixing plate for low density materials that is installed between the mounting base and the receiving structure

- ✦ A securing plate for low-density support structures, which is fastened using eight, 12-mm screws

NB: when installing the plate the user must obligatorily verify the compatibility between the installation and the structural. Chemical anchors are not supplied with the base, they must be compatible with the belay support

code N°	Description	Quantité mini	Dimension L x l x H mm	Poids kg Avec emballage	Description
207368	Tracrod Stainless steel Securing plate for low-density support structures	1	380X200X6	3.9 kg	PU bag

Standard:

The tracrod 150 kg anchor rod meets the requirements stated in the following standards:

- ✦ EN795A/2012 Personal fall protection equipment - anchor devices, and can be fitted with two, 150 kg fall-arrest devices which comply with the requirements stated in standard EN 363 (EN 355-EN 353.2-EN 360) or with evacuation systems EN341
- ✦ To support a blocfor™ 20R or 30R 150-kg bracket, EN 360 - EN 1496

Code:

Name	New code	Stat code	EAN code
Tracrod Stainless steel Securing plate for low-density support structures	207368	41230	3600232073680